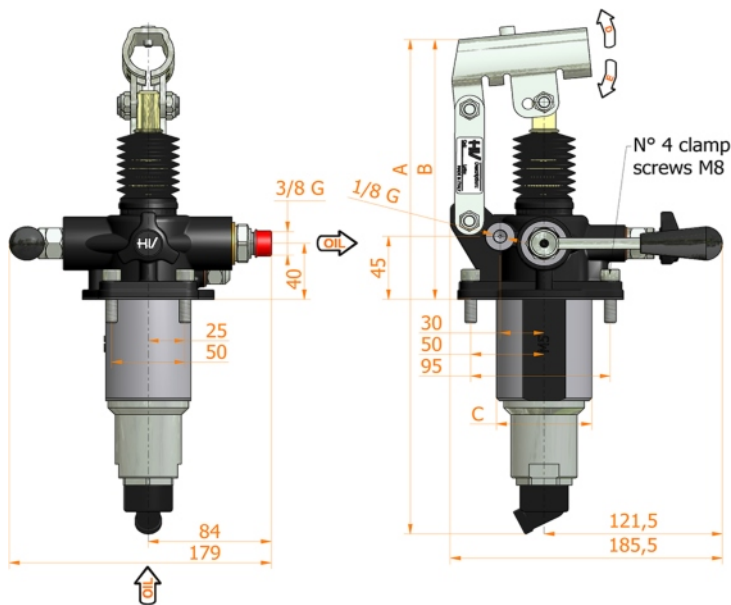
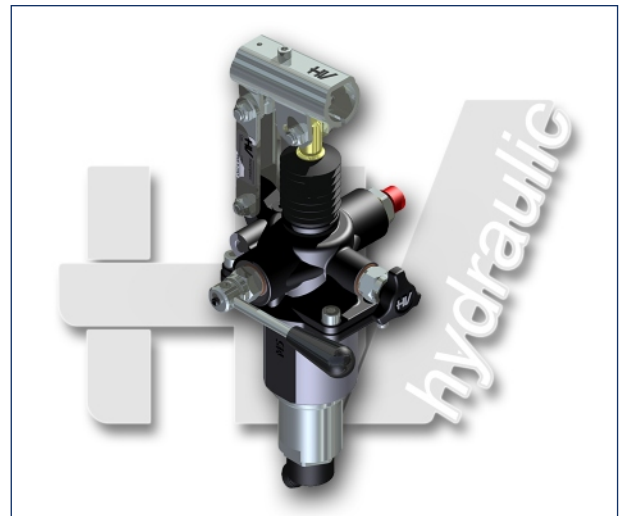
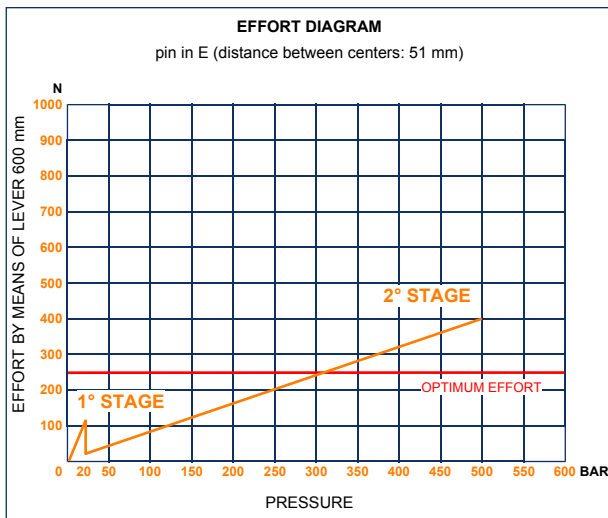
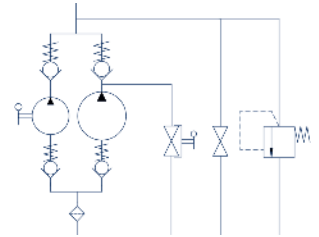




PM2V 5/80 Lm-byB-pm-s

with release hand knob
 with exclusion lever for the 1st speed
 with pressure relief valve and pressure-gauge prearrangement
 two speed hand pump for a single acting cylinder
 for fixing to tank



Specifications:

- Cast iron body
- Piston treated with Niploy
- White zinc plated support lever
- Lever connection Ø 27
- White zinc plated external parts
- Standard colour black
- Oil tank mounting kit included
- Pressure relief valve standard setting: 400 bar
- With pressure-gauge prearrangement, connection: 1/4 G

DISPLACEMENT cm ³	A mm	B mm	C mm	D °	E °	DISPLACEMENT cm ³		PRESSURE BAR		MASS KG	CODE WITHOUT BELLOWS	CODE WITH BELLOWS
						STAGE 1	STAGE 2	STAGE 1	STAGE 2			
5-80	354	185	65	30	32	80,588	5,036	20	500	6,200	6071.0104	6071.0131